

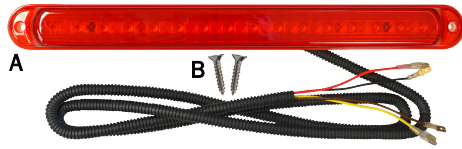
LGT-102 Universal LED Taillight

Gas & Electric

Installation Instructions

Tools Needed For Installation:

- Phillips Head Screwdriver
- Wire Ties



Contents of LGT-102 Universal LED Taillight:

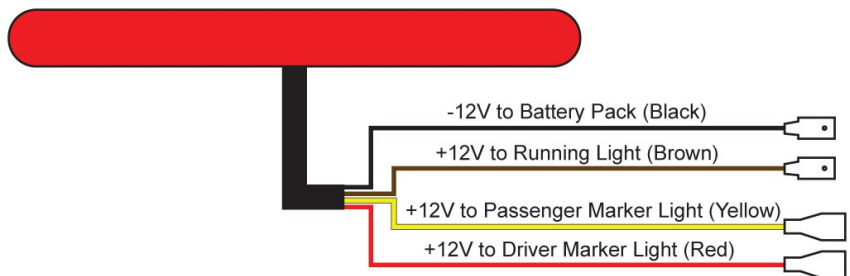
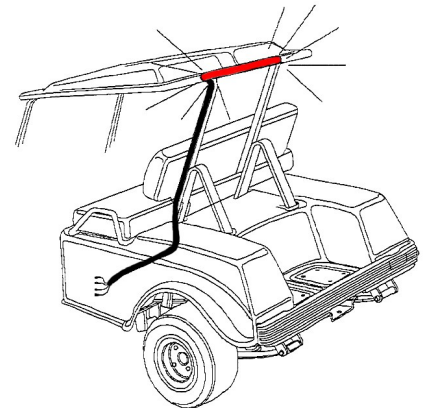
- A (1 ea.) 12V Universal LED Taillight
- B (2 ea.) No.8 x 3/4" Flat Head Sheet Metal Screws

Before You Start

1. Turn the key to the OFF position.
2. Place the TOW/RUN switch in the TOW position (electric carts).
3. Remove the system's positive and negative connections from the battery or battery pack.
4. Engage the parking brake.

Installation

1. Locate an area on the rear of the vehicle to mount the taillight.
2. Position the wires so they are exiting out of the lower edge of the light. Mount the taillight using the (2) No.8 x 3/4" Flat Head Sheet Metal Screws. Use caution not to over torque.
3. Connect the wires according to the diagram below. If installing with a RHOX Deluxe Wire Harness, the LGT-102 can plug directly into the harness.



Your Universal LED Taillight Installation is now complete. Please enjoy safely!

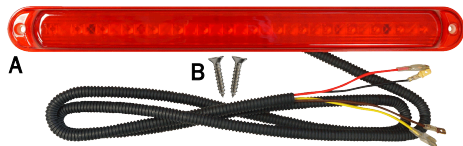
LGT-102 Universal LED Taillight

Gas & Electric

Installation Instructions

Tools Needed For Installation:

- Phillips Head Screwdriver
- Wire Ties



Contents of LGT-102 Universal LED Taillight:

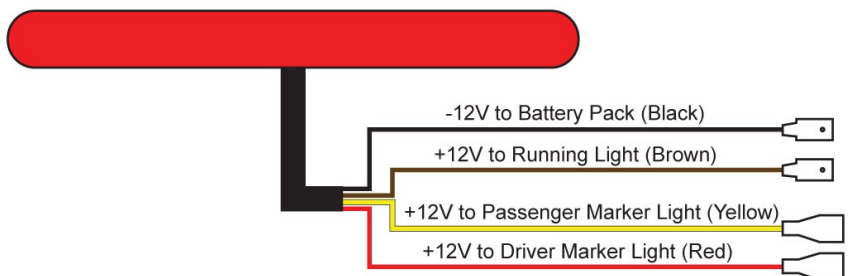
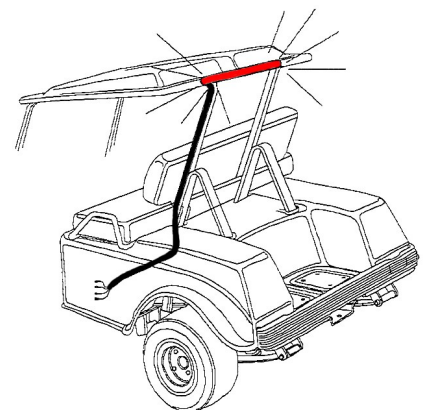
- A (1 ea.) 12V Universal LED Taillight
- B (2 ea.) No.8 x 3/4" Flat Head Sheet Metal Screws

Before You Start

1. Turn the key to the OFF position.
2. Place the TOW/RUN switch in the TOW position (electric carts).
3. Remove the system's positive and negative connections from the battery or battery pack.
4. Engage the parking brake.

Installation

1. Locate an area on the rear of the vehicle to mount the taillight.
2. Position the wires so they are exiting out of the lower edge of the light. Mount the taillight using the (2) No.8 x 3/4" Flat Head Sheet Metal Screws. Use caution not to over torque.
3. Connect the wires according to the diagram below. If installing with a RHOX Deluxe Wire Harness, the LGT-102 can plug directly into the harness.



Your Universal LED Taillight Installation is now complete. Please enjoy safely!